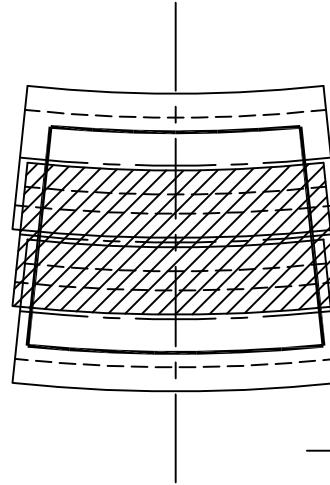


Copyright (c) 2001
TERRAMETRA RESOURCES
All Rights Reserved

DATUM: NAD83
 ZONE: COLORADO CENTRAL
 STATION: WILLIAMS PEAK
 ϕ 39°52'38.82359"N
 λ 106°12'22.73791"W
 R _____:
 $\gamma(\theta)$ _____:
 N(y) _____:
 E(x) _____:
 k _____:



R_b _____:
 N_b _____:
 $E_o(C)$ _____:
 $\sin(\phi_o)$ _____:

